

## ACFM MINI AND MICRO PENCIL PROBES



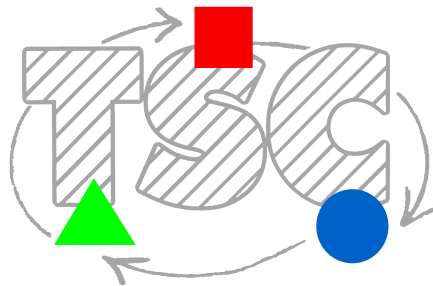
The Mini and Micro Pencil range of probes are used to examine areas with restricted access and areas of weld associated with rat holes in fabricated structures.

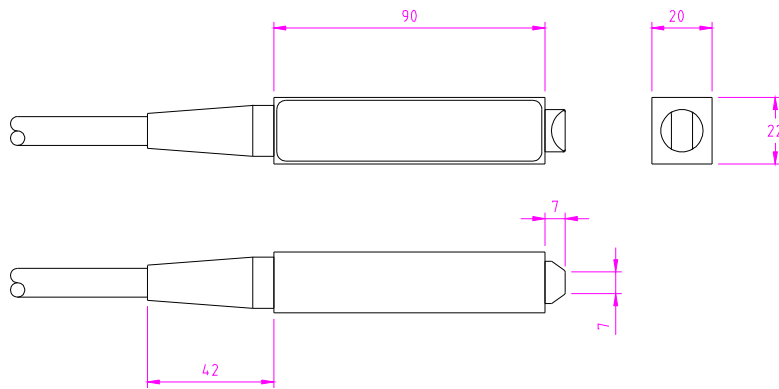
Mini Probes are recommended for routine inspection and when inspecting through thick coatings. Micro Probes offer higher sensitivity than the Mini Probes, but are more sensitive to lift-off variations. Mini and Micro probes have a reduced operating range and are not recommended for depth sizing deep cracks. The High Frequency (50kHz) versions of these probes are recommended for the inspection of Duplex and non-ferrous materials.

The following standard probes are available:

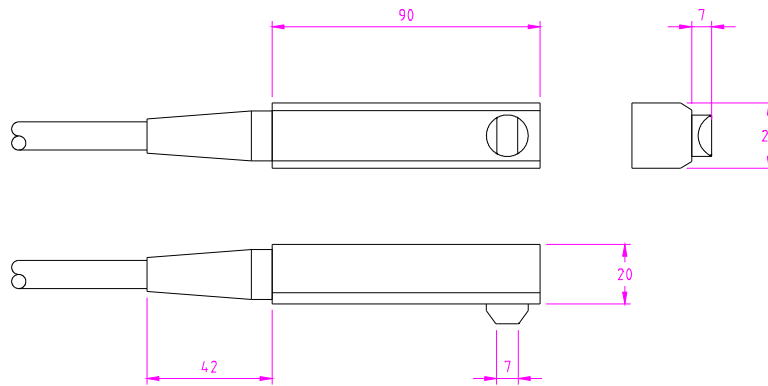
- Type 250 5kHz Mini Probe with straight nose
- Type 251 5kHz Mini Probe with right angle in-line nose
- Type 252 5kHz Mini Probe with right angle transverse nose
- Type 255 5kHz Micro Probe with straight nose
- Type 253 5kHz Micro Probe with right angle in-line nose
- Type 254 5kHz Micro Probe with right angle transverse nose
- Type 263 50kHz Micro Probe with straight nose
- Type 261 50kHz Micro Probe with right angle in-line nose
- Type 262 50kHz Micro Probe with right angled transverse nose

All above Probes are fitted with 5m cable. Cable lengths up to 50m are available on request, or probes can be used with extension cables. Some probe types are available for underwater use (details on request).

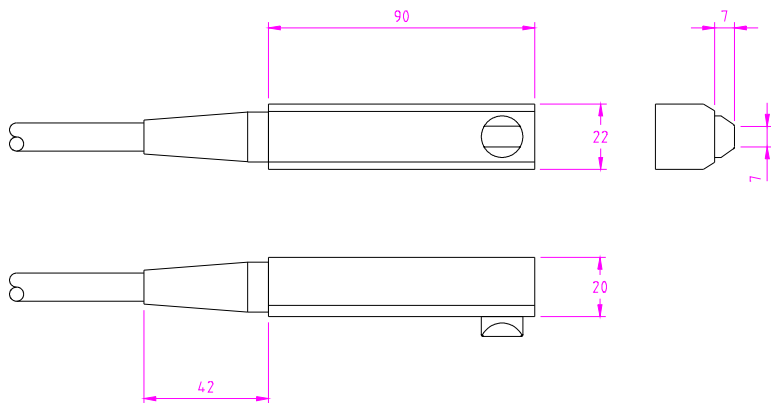




Mini Pencil probe with straight nose (Type 250)



Mini Pencil probe with right angle transverse nose (Type 252)



Mini Pencil probe with right angle in-line nose (Type 251)

Dimensions of mini pencil probes. All dimensions in mm. Micro probes differ only in width of the end of the nose. Specifications subject to change without notification. If dimensions are critical, please contact TSC prior to ordering. ACFM® Registered Trademark

**Contact:**

TSC Inspection Systems, 6 Mill Square, Featherstone Road, Wolverton Mill, Milton Keynes, MK12 5RB, U.K.

Tel: +44 (0)1908 317444, Fax: +44 (0)1908 220959

Email: [sales@tscinspectionssystems.com](mailto:sales@tscinspectionssystems.com), [www.tscinspectionssystems.com](http://www.tscinspectionssystems.com)